

EZRAIDER



Ride any Path

About us 2

EZRaider 3

EZRaider HD2 5

EZRaider HD4 7

EZRaider Carts 9



DSRaider

About us

DSRaider Ltd. Introduces the EZRaider - a new and unique, electric all-terrain vehicle. The EZRaider creates a new category in the field of electrical mobility vehicles.

The EZRaider combines powerful and go-anywhere mobility in a variety of off-road scenarios, offering operational simplicity, and high reliability and durability - while ensuring the highest level of user safety.

DSRaider's line of products offers solutions to a variety of target audiences, such as extreme powersport and ATV fans, farmers, hunters, armed forces, police, firefighters, security and rescue teams.

The versatile EZRaider can be operated over inhospitable terrains, thanks to its unique field-proven characteristics:

- *Innovative, patented suspension system which gives the EZRaider unrivalled maneuverability*
- *Compact and lightweight design*
- *Powerful electric motors with high efficient torque ratio*
- *Precise response to user commands for easy handling*
- *Folds for reduced footprint and easy transport*
- *Unique ground clearance, approach / departure clearance of 90 deg*

The EZRaider can be supplied in multiple configurations for a variety of uses.

EZRAIDER

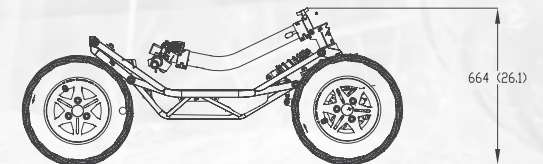
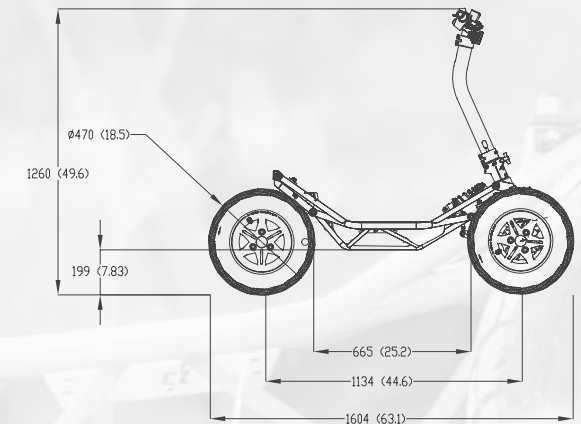
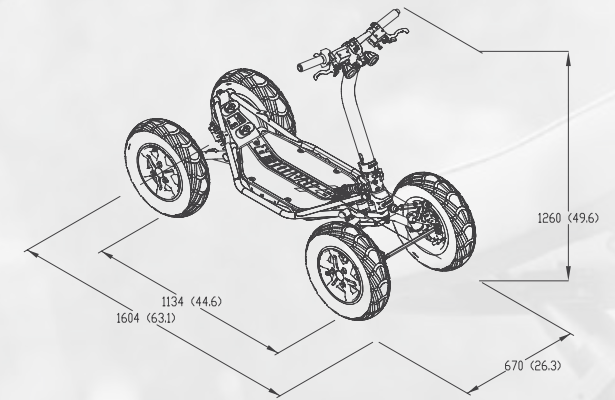
This breakthrough vehicle creates a new category in all-terrain riding, giving the user complete control with minimum training.

The simple and unique design allows for easy ongoing maintenance. The EZraider can be used in various applications, such as military, paramilitary, HLS and rescue, hunting, agriculture, extreme, fun, etc. . .

A unique design and light weight vehicle which provide exciting urban and extreme riding while preserving the environment

Additional important features:

- *High level of foldability*
- *Simple and precise handling*
- *Unique ground clearance and vehicle angles*
- *Compact and light design*



Length	161 / 63.1 (CM/IN)
Width	67 / 26 (CM/IN)
Height	126 / 50 (CM/IN)
Height folded	66.4 / 26.1 (CM/IN)
Weight	95 / 209.5 (KG/LB)
Motor	2X1200w
Battery	60V 1740 w/h
Suspension travel F/R	50 / 19.6 (CM/IN)



EZRAIDER HD2

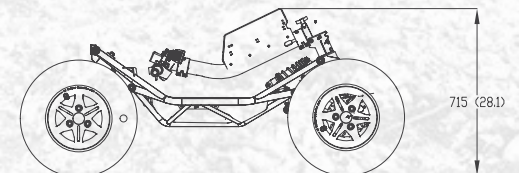
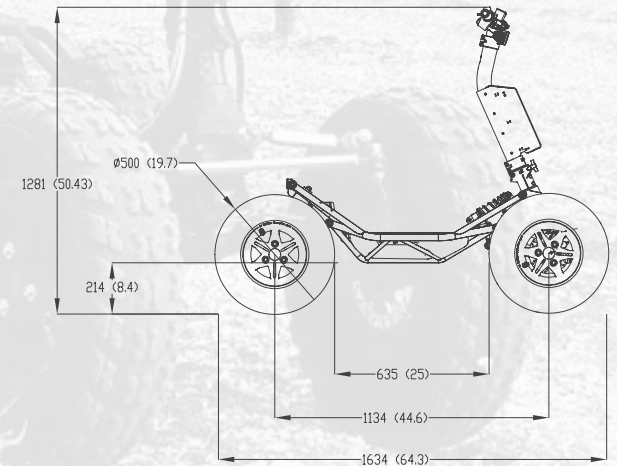
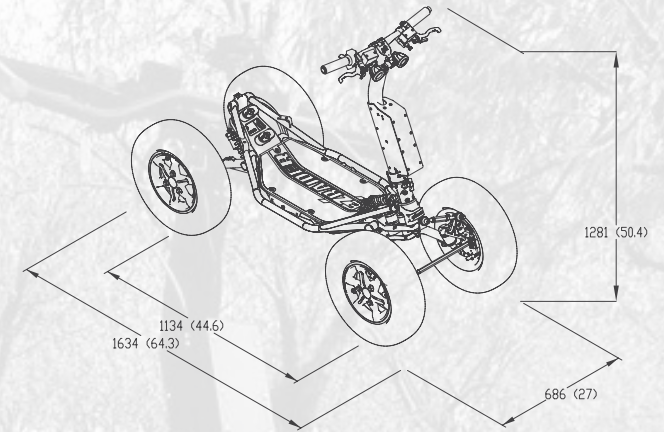
This breakthrough vehicle creates a new category in all-terrain riding, giving the user complete control with minimum training.

The simple and unique design allows for easy ongoing maintenance. The EZraider can be used in various applications, such as military, paramilitary, HLS and rescue, hunting, agriculture, extreme, fun, etc. . .

A heavy duty 2x4 version that traverses challenging terrains while carrying a heavy load.

Additional important features:

- *High level of foldability*
- *Simple and precise handling*
- *Unique ground clearance and vehicle angles*
- *Compact and light design*



Length	163.5 / 64 (CM/IN)
Width	68.6 / 27 (CM/IN)
Height	128 / 50 (CM/IN)
Height folded	71.5 / 28 (CM/IN)
Weight	105 / 231.5 (KG/LB)
Motor	2X1200w
Battery	60V 3000 w/h
Suspension travel F/R	50 / 19.6 (CM/IN)



EZRAIDER HD4

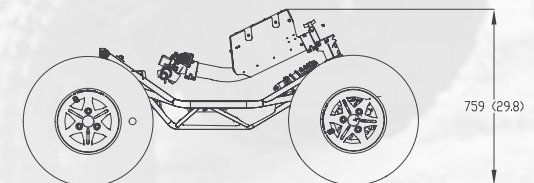
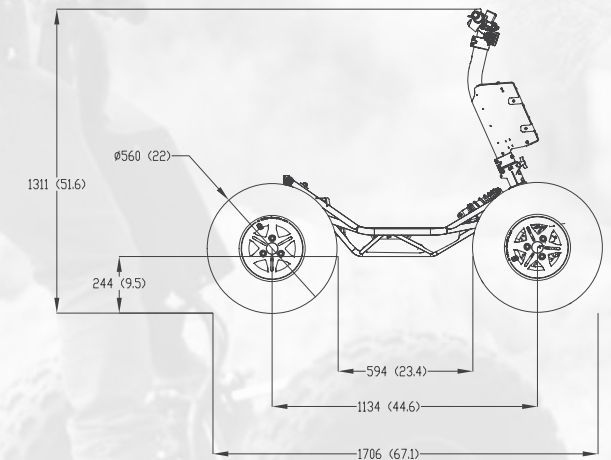
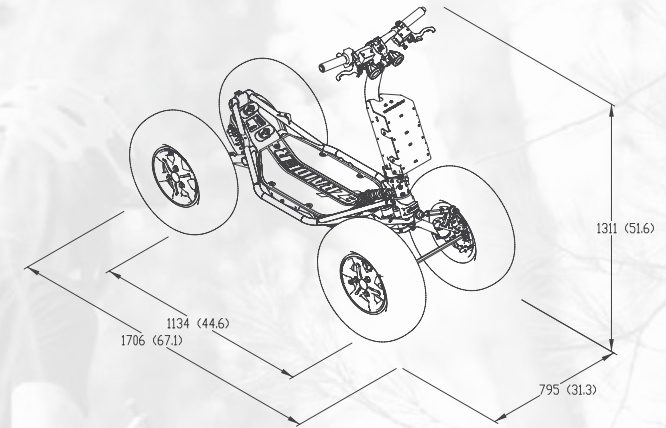
This breakthrough vehicle creates a new category in all-terrain riding, giving the user complete control with minimum training.

The simple and unique design allows for easy ongoing maintenance. The EZraider can be used in various applications, such as military, paramilitary, HLS and rescue, hunting, agriculture, extreme, fun, etc. . .

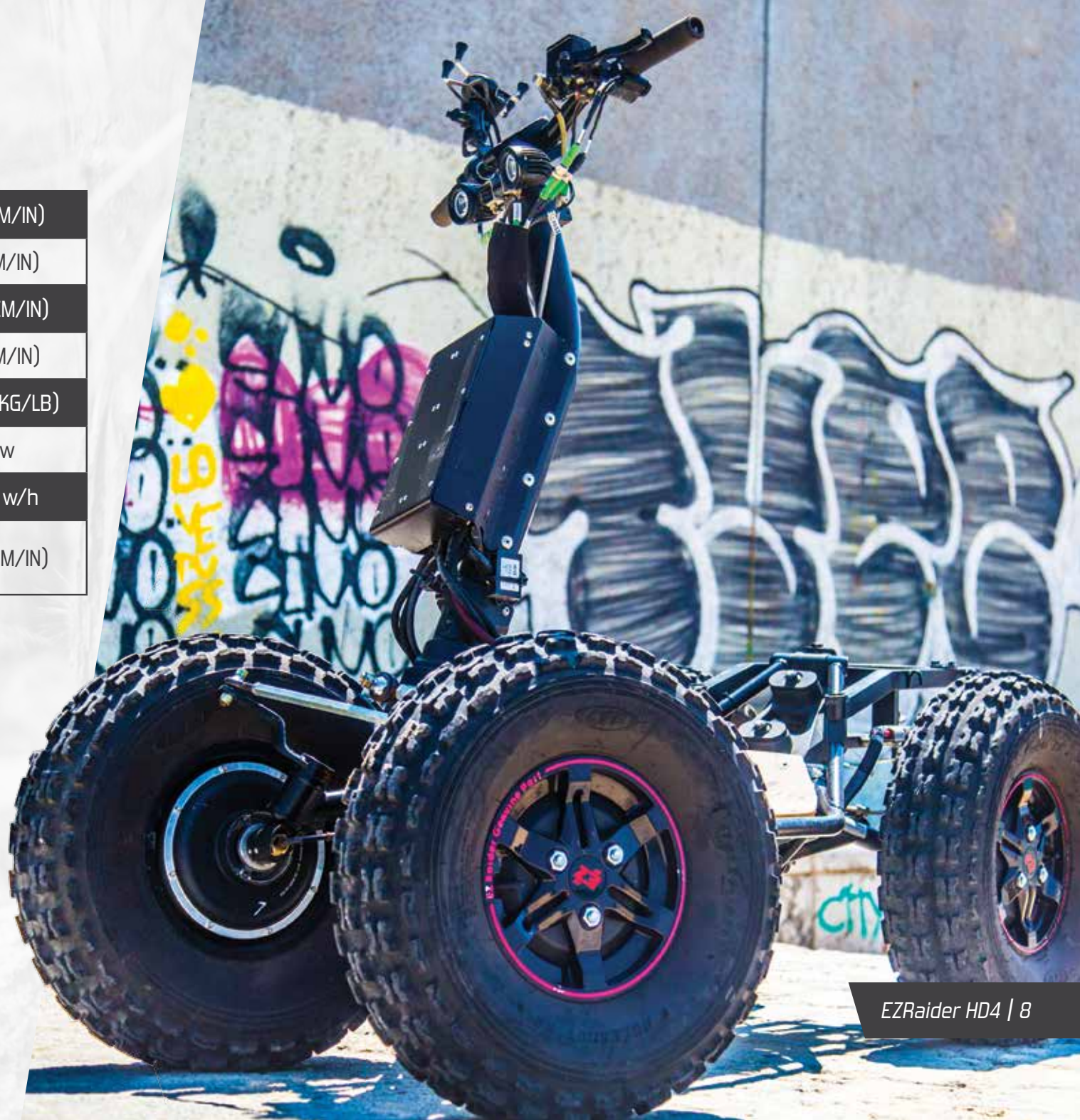
A heavy duty 4x4 version with impressive abilities, even in extreme conditions. It carries a heavy load over sandy and rocky terrain. The driving range of this vehicle is the longest in its category, reaching up to 80 km / 50 miles on a single charge.

Additional important features:

- *High level of foldability*
- *Simple and precise handling*
- *Unique ground clearance and vehicle angles*
- *Compact and light design*



Length	170 / 67 (CM/IN)
Width	79 / 31 (CM/IN)
Height	131 / 51.6 (CM/IN)
Height folded	76 / 30 (CM/IN)
Weight	135 / 297.6 (KG/LB)
Motor	4X1200w
Battery	60V 3000 w/h
Suspension travel F/R	50 / 19.6 (CM/IN)



EZRAIDER CARTS

Cart - A perfectly fitted cart with a dedicated connection to the vehicle.

The cart can be used to carry equipment, transport goods, evacuate wounded, and much more.

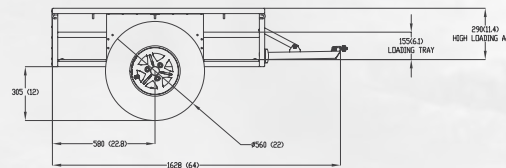
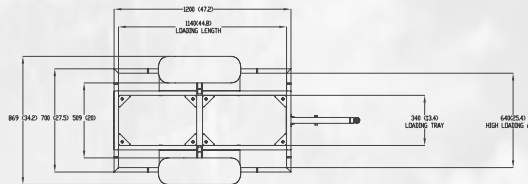
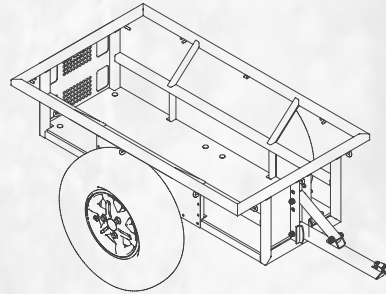
This cart can carry loads of up to 150 kg / 330.75 pound.

E Cart HD - An electric cart with its own independent electric motor, battery and controllers.

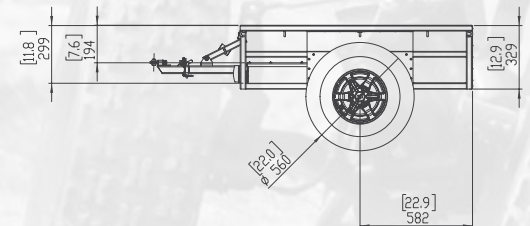
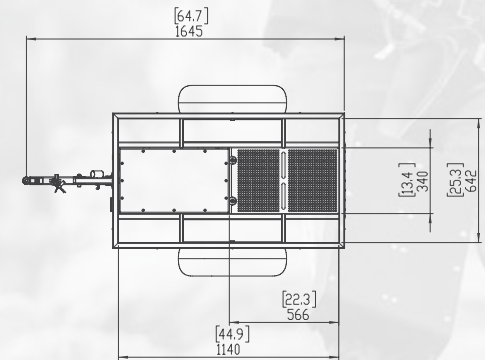
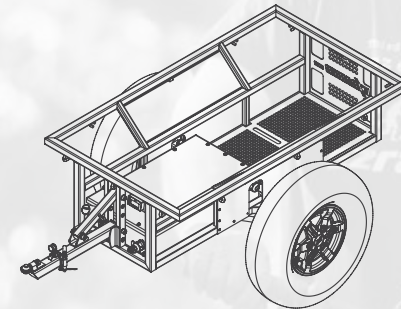
This cart serves as a power multiplier and extends the driving range of the vehicle.

This cart can carry loads of up to 250 kg / 551.2 pound.

Cart



E Cart HD



Cart

Length	165 / 65 (CM/IN)
Width	87 / 34.2 (CM/IN)
Height	60 / 23.5 (CM/IN)
Weight	45 / 99.2 (KG/LB)

E Cart HD

Length	165 / 65 (CM/IN)
Width	98 / 38.8 (CM/IN)
Height	65 / 25.5 (CM/IN)
Weight	75 / 165.3 (KG/LB)
Battery	60V 3000 w/h
Motor	2X1500w





dsraider

For further details please email us: info@dsraider.com
or visit our web site: www.ezraider.com



dsr.co.uk